



◆ Description: 10/100BASE 1X1 Tab- Down RJ45

◆ Operating Temperature range:-40°C to 85°C

◆ Content:

1. Product Electrical Specifications

2.Product Schematics

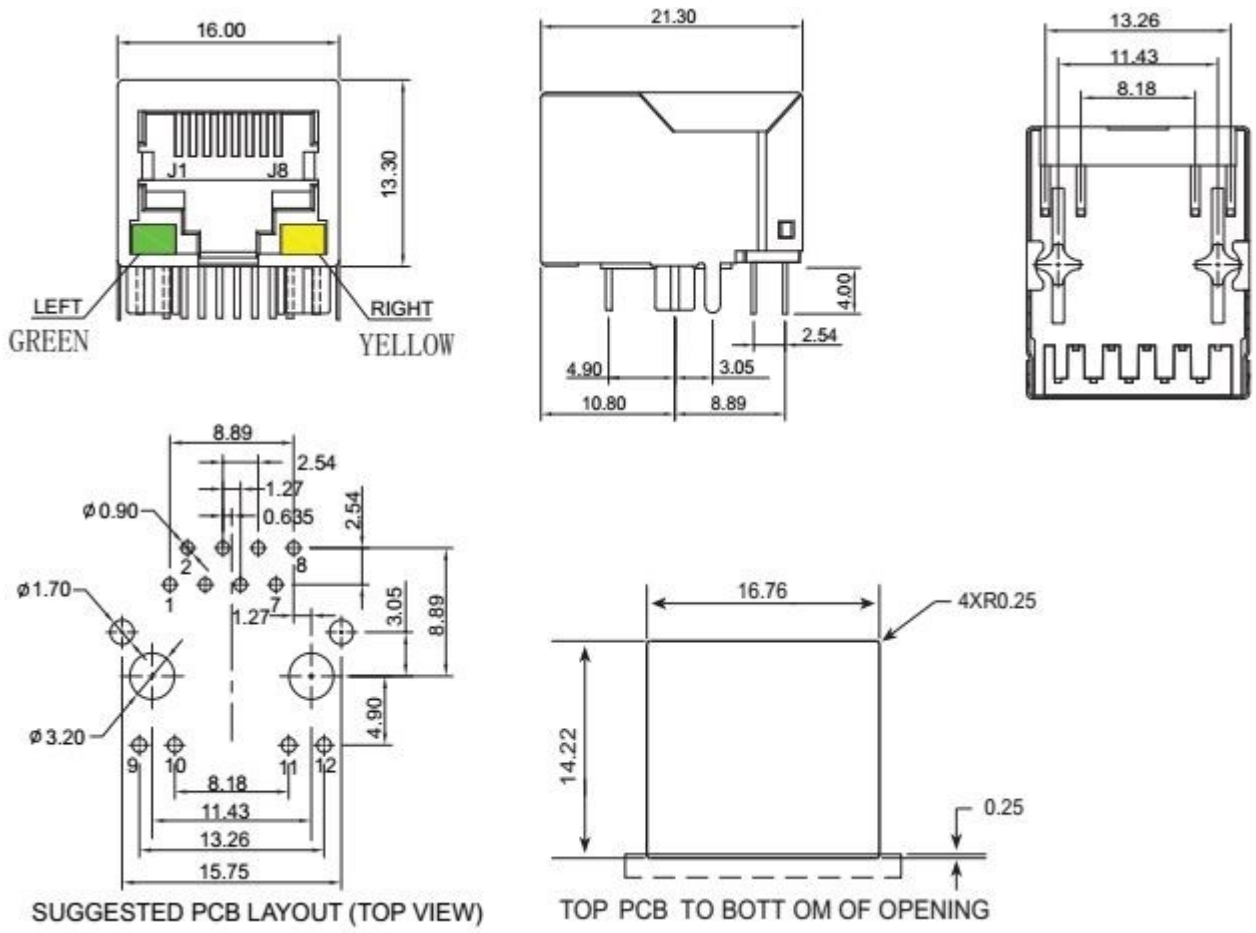
3. Mechanicals Dimensions

## 1. ELECTRICAL SPECIFICATIONS@25°C Unless otherwise noted:

- 1.1 Insertion Loss(dB MAX):1-100MHZ -1.0dB MAX
- 1.2 Return Loss(dB MIN): 1-30MHZ -16.0dB MIN  
30-60MHZ -14.0dB MIN  
60-80MHZ -10.0dB MIN
- 1.3 Cross Talk: 1-30MHZ -40.0dB MIN  
30-60MHZ -35.0dB MIN  
60-80MHZ -30.0dB MIN
- 1.4 CMR: 1-100MHZ -35.0Dbmin
- 1.5 HI-POT: 1500v AC 6S 1mA
- 1.6 Turns Ratio(±5%): 1CT:1CT
- 1.7 OCL : 350uH Min@100KHZ 100mV 8mA DC
- 1.8 Contacts: 0.35mm thick phos bronze plated with 6u' gold in contact are
- 1.9 Housing Material: PBT BLACK
- 1.10 Operating Temperature:-40°C -+85°C



## 2. SCHEMATICS:



## 3. Mechanicals Dimensions

